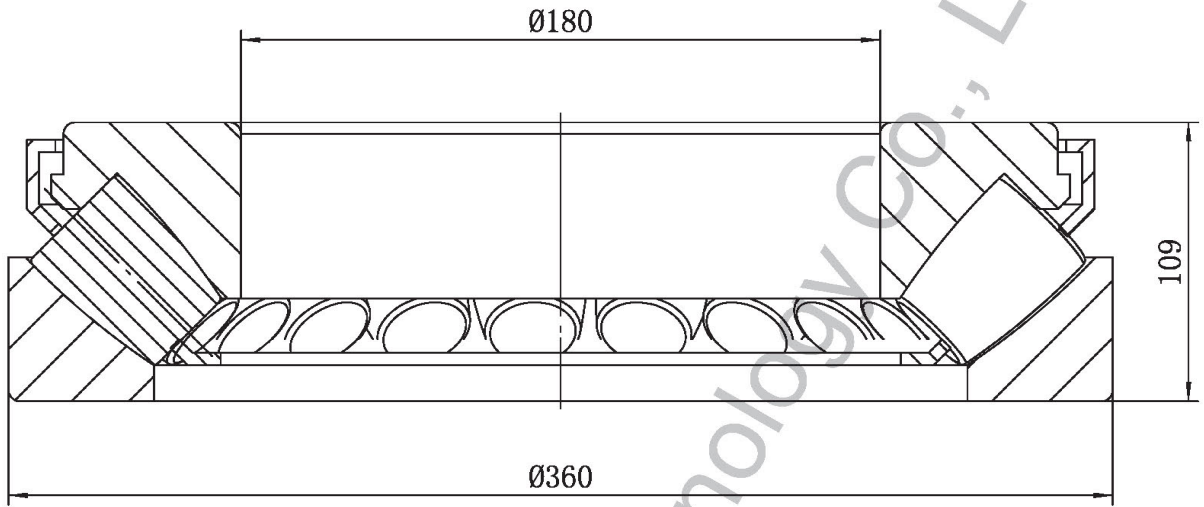


29436E



- 1 rated load: Cr= 1950 KN ; Cor= 7000 KN ;
- 2 Heat treatment according to the current standards

Remark:

- 1. Luoyang JCB Bearing Technology Co., Ltd is a technical Inc, specialize in designing and manufacturing thrust bearing, we can design and manufacture all kinds of thrust bearing according to client's requirement.
- 2. This drawing is reference for user, if you need formal drawing, please contact with us sales@jcb-bearing.com, the official drawing will be submitted after order confirmation.



| | | | | | |
|----|--------------|--|---------------------------|--|-------------|
| 07 | cage | | STEEL | | |
| 04 | roller | | steel GCr15-GB/T18254 | | |
| 02 | shaft washer | | steel GCr15SiMn-GB/T18254 | | |
| 01 | house washer | | steel GCr15SiMn-GB/T18254 | | Weight (kg) |

| serial | Name | Qty | Material | | |
|---|------|-----|----------|--|--|
| | | | | | |
| | | | | | |
| | | | | | |
| | | | | | |
| | | | | | |
| | | | | | |
| | | | | | |
| | | | | 29436E | |
| Thrust spherical roller bearing | | | | Add: No.3 Lianmeng road, Luoyang, Henan, China. | |
| | | | | Postal: 471003 Website: www.jcb-bearing.com | |
| | | | | Phone: +86-379-68611678 www.sphericalrollerthrustbearing.com | |
| | | | | Fax: +86-379-68611679 | |
| | | | | E-mail: sales@jcb-bearing.com | |
| Luoyang JCB Bearing Technology Co., Ltd | | | | | |